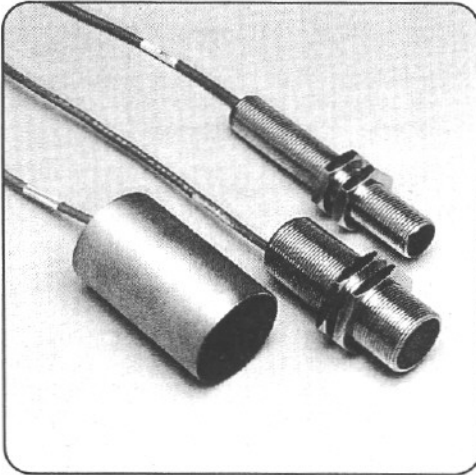


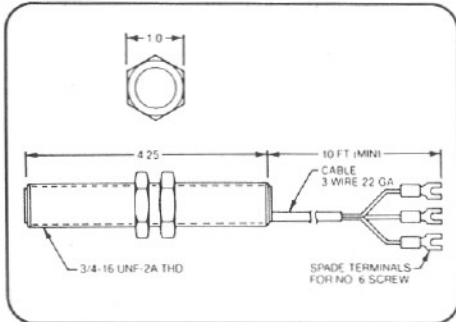
# PA2XX/PA4XX SERIES SELF-CONTAINED GAUGING SENSORS

## NON-CONTACT GAUGING SENSORS



Electro's Self-Contained Gauging Sensors provide the same type analog output, as a function of air gap, that is provided by the systems covered on previous pages. However, these models are DC powered only, and combine the sensor and converter into a single, compact package that is lower in cost and easy to install. These self-contained units are shielded and may be mounted in metal without affecting performance.

These models offer the advantage of a one piece unit for ease of installation. All models include user adjustable potentiometers to set the zero and full-scale operating points. These adjustments allow calibration to different materials and/or to different target geometry. As shipped, all units are calibrated to a mild steel target. **For general technical and application data, see pages 80 - 83.**



**PA212MF / PA212WF**  
**PA412MF / PA412WF**

**Mounting:**

3/4 - 16 UNF 2A x 4.25"

**Sensing Range:**

.020 to .100" (.5 to 2.5 mm)

**Calibration as Shipped:**

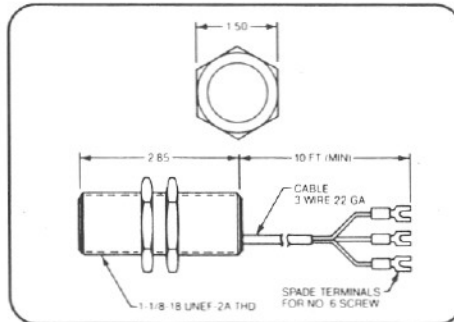
100 mV/.001"

**Calibration Adj. Range:**

80 to 120 mV/.001"

**Weight:**

7.0 oz. (200 gr.)



**PA222MF / PA222WF**

**Mounting:**

1-1/8 - 18 UNEF 2A x 2.85"

**Sensing Range:**

.040 to .200" (1.0 to 5.0 mm)

**Calibration as Shipped:**

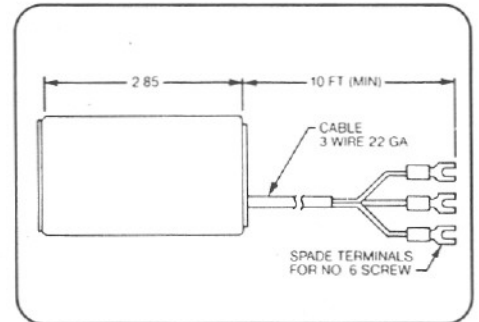
50 mV/.001"

**Calibration Adj. Range:**

40 to 60 mV/.001"

**Weight:**

10 oz. (284 gr.)



**PA232MF / PA232WF**

**Mounting:**

1.75" O.D. Smooth x 2.85"

**Sensing Range:**

.080 to .400" (2.0 to 10.0 mm)

**Calibration as Shipped:**

25 mV/.001"

**Calibration Adj. Range:**

20 to 30 mV/.001"

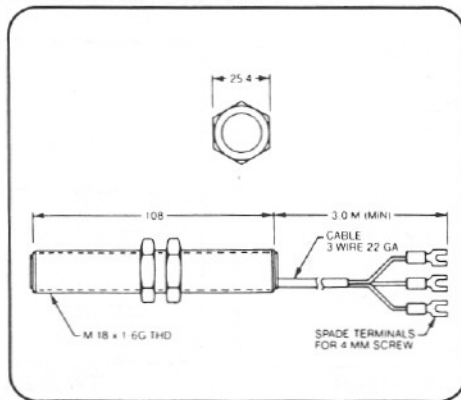
**Weight:**

1 lb. (454 gr.)

NON-CONTACT GAUGING SENSORS

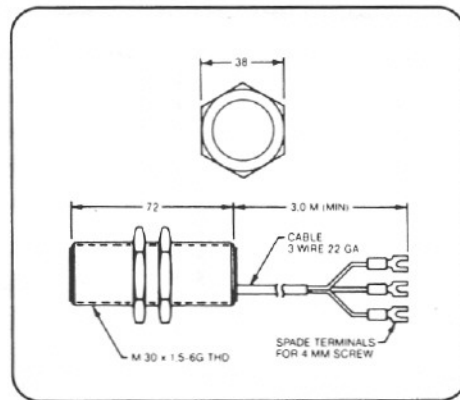
GENERAL SPECIFICATIONS:

- Mounting:** Via brackets, five models threaded, one model smooth shell
- Housing Material:** Nickel plated brass
- Power Requirements:** MF Series: 11.5 to 12.5 VDC Regulated @ 20mA max.  
WF Series: 15 to 32 VDC @ 20mA max.
- Operating Temp. Range:** 32 to 140F (0 to 60C)
- Wiring:** Red = Pos. Supply Black = Common Green = Output
- Output Signal:** PA2XX: 1 to 10 VDC into 10k ohm minimum load (voltage output increases with increased gap)  
PA4XX: 4 to 20 mA into 400 ohm maximum load (current output increases with increased gap)
- Non-Linearity:** 2.5% of full scale max. @ fixed temperature



PA216MF / PA216WF  
PA416MF / PA416WF

- Mounting:**  
M18 x 1-6G x 108 mm
- Sensing Range:**  
.5 to 2.5mm (.020 to .100")
- Calibration as Shipped:**  
5 V/mm
- Calibration Adj. Range:**  
4 to 6 V/mm
- Weight:**  
7.0 oz. (200 gr.)



PA226MF / PA226WF

- Mounting:**  
M30 x 1.5-6G x 72 mm
- Sensing Range:**  
1.0 to 5.0mm (.040 to .200")
- Calibration as Shipped:**  
2 V/mm
- Calibration Adj. Range:**  
1.8 to 2.2 V/mm
- Weight:**  
10 oz. (284 gr.)



ISO  
9001

