

# MODEL 261 series Alternating Relays



- Solid-state Reliability
- Heavy-duty Contact Rating
- Optional Load 1-Load 2 Toggle
- UL Recognized; CSA Certified



## DESCRIPTION

The **Model 261 series Alternating Relay** is designed for duplex pumping systems where it is desirable to equalize pump run time. The solid state alternating circuit drives an internal electromechanical relay. A continuous power source and control switch are required.

The control switch (float, pressure or other isolated contact) is connected between the L1 terminal and the control terminal. Each time the control switch is opened the output contacts will change states. Indicator lights on the case show the internal relay status.

On the optional toggle switch versions, the toggle switch is set to the **NORMAL** position. Setting the switch to Load 1 or Load 2 will lock the relay in position, preventing alternation.

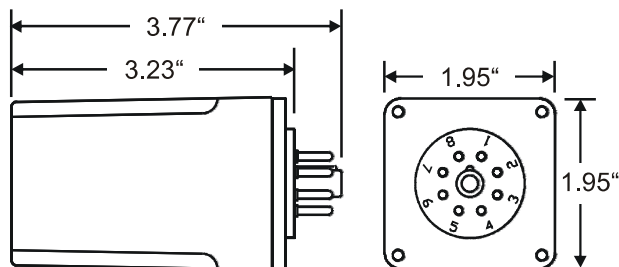
## SPECIFICATIONS

| MODEL               | 261 x (T) - xxx   |           |            |            |
|---------------------|---|-----------|------------|------------|
| Supply Voltage      | 12V AC/DC   | 24V AC/DC | 120V AC/DC | 240V AC/DC |
| Voltage Range       | 10 - 14V  | 20 - 28V  | 90 - 130V  | 180 - 250V |
| Max Voltage         | 15V   | 30V       | 140V       | 260V       |
| Supply Current      | 0.1A  | 0.05A     | 0.01A      | 0.01A      |
| Control Current     | 0.001A  |           |            |            |
| Operating Duty      | Continuous  |           |            |            |
| Min. Cycle Time     | 100ms   |           |            |            |
| Contacts            | 10A at 120VAC resistive   |           |            |            |
| Expected Relay Life | Mech: 10 million operations<br>Elec: 100,000 operations at rated load |           |            |            |
| Operating Temp      | 240V models: -20° to +131° F<br>All other models: -20° to +140° F     |           |            |            |
| Humidity Tolerance  | 0 - 97% w/o condensation  |           |            |            |
| Mounting            | 261D: 11-pin socket *<br>261S or 261DX: 8-pin socket **               |           |            |            |
| Enclosure Material  | ABS plastic   |           |            |            |
| Weight              | 4.3 oz.   |           |            |            |
| Agency Approvals    | UL Recognized and CSA Certified                                       |           |            |            |

\*order 11-pin socket # 51X016

\*\*order 8-pin socket # 51X120

## DIMENSIONS - 261S or 261DX



\*add 3/4" (0.75) for toggle clearance on applicable models

## ORDERING INFORMATION

| MODEL   | RELAY POLES         | TOGGLE | SUPPLY VOLTAGE |
|---|---------------------|--------|----------------|
| 261   | S=single pole       | T      | 12V AC/DC      |
|   | D=double pole       |        | 24V AC/DC      |
|   | DX=dbl pole x-wired |        | 120V AC/DC     |
|   |                     |        | 240V AC/DC     |
| <b>example:</b> 261-DX-120 orders a 120V AC/DC; double-pole, x-wired Alternating Relay w/o the toggle option. |                     |        |                |

Telephone: Main - (918) 438-1220  
Sales - (800) 862-2875  
Fax: (918) 437-7584

E-mail: sales@time-mark.com  
Internet: http://www.time-mark.com



**TIME MARK**  
CORPORATION

11440 East Pine Street  
Tulsa, Oklahoma 74116

12/2012

© 2012 TIME MARK CORPORATION

TIME MARK is a division of  AEMT, Inc.

# MODEL 261

# Alternating Relays

READ ALL INSTRUCTIONS BEFORE INSTALLING, OPERATING OR SERVICING THIS DEVICE.  
KEEP THIS DATA SHEET FOR FUTURE REFERENCE.

## GENERAL SAFETY

POTENTIALLY HAZARDOUS VOLTAGES ARE PRESENT AT THE TERMINALS OF THE MODEL 261.  
ALL ELECTRICAL POWER SHOULD BE REMOVED WHEN CONNECTING OR DISCONNECTING WIRING.  
THIS DEVICE SHOULD BE INSTALLED AND SERVICED BY QUALIFIED PERSONNEL.

## Installation Instructions

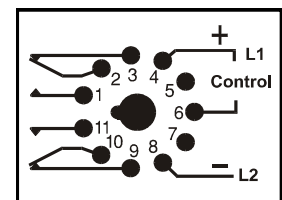
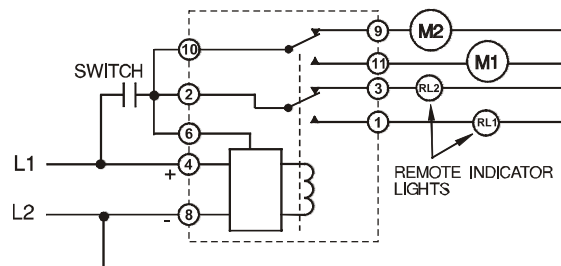
### INSTALLATION

Connect wiring to the socket as indicated in the following examples.

The Model 261 series Alternating Relays are extremely versatile and can be used in many other configurations besides those shown. Any type of switch (float, pressure, etc.) can be used as the control switch; however, it must be connected as shown (from L1 to the control input) or the alternator will not function properly.

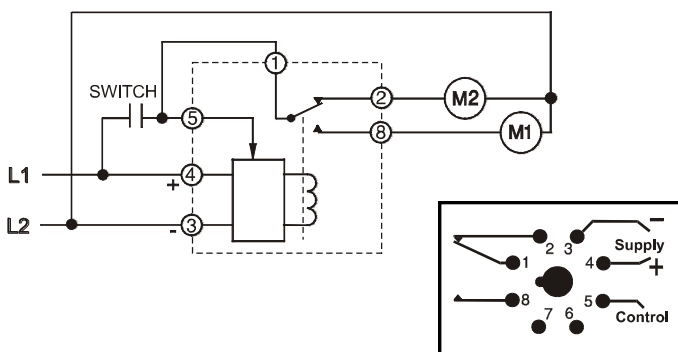
**On Toggle Versions:** For normal operation (alternating loads) set the toggle switch on the top of the case to the "normal" position. Setting the toggle switch to either "1" or "2" will lock the alternator in that position.

### TYPICAL APPLICATION: 261D

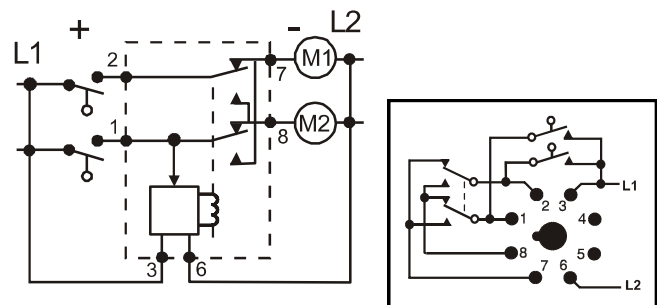


### TYPICAL APPLICATION: 261S

*NOTE: All drawings shown with no power applied.*



### TYPICAL APPLICATION: 261DX



### TROUBLESHOOTING

Should the Model 261 fail to operate properly, check to see that voltage level and connections are correct and securely attached to equipment. Should problems persist, contact the factory at 800-862-2875 for assistance.

### WARRANTY

This product is warranted to be free from defects in materials and workmanship, and is covered by our exclusive **5-year Unconditional Warranty**. Should this device fail to operate for any reason, we will repair it for five years from the date of manufacture. For complete warranty details, see the *Terms and Conditions of Sales* page in the front section of the Time Mark catalog or contact Time Mark at 1-800-862-2875.

Telephone: Main - (918) 438-1220  
Sales - (800) 862-2875  
Fax: (918) 437-7584

E-mail: sales@time-mark.com  
Internet: http://www.time-mark.com



11440 East Pine Street  
Tulsa, Oklahoma 74116  
12/2012  
© 2012 TIME MARK CORPORATION

TIME MARK is a division of  **AEMT, Inc.**