

AcuSplitCT Series 100/120/200/250A Hinged Split Core Current Transformers

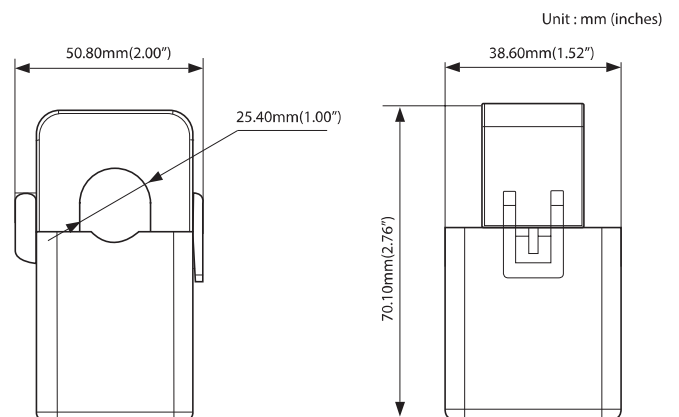
The Accuenergy hinged split core CTs are compact and low-cost current transformers with high accuracy. Designed with a single-click installation mechanism, the hinged CTs are ideal for quick and easy installation without disconnecting cables. The compact size is perfect for limited-space panels.



SPECIFICATIONS

| | |
|---|--|
| Rated Input & Output | 333mV@ 100/120/200/250A AC |
| Accuracy | 0.5% |
| Frequency Range | 50-1KHz |
| Window Size | 1.0 Inch |
| Case Material | Black Nylon |
| Rated Voltage | 600 Vac, Category III |
| Note: Do not use 600V class CT in application with voltage greater than 600V L-L | |
| Operating Temperature | -15°C - 60°C |
| Certifications | UR & CE approved, RoHS compliant |
| Lead | White-Positive, Brown-Negative, Bare-shield; 26AWG |

DIMENSIONS



ORDERING INFORMATION

| Ordering Number: | Rated Input | |
|---------------------------------|-------------|-------|
| AcuCT- H100 - | 100 | : 333 |
| Ordering Example: AcuCT- H100 - | 120 | : 333 |
| | 100: 100A | |
| | 120: 120A | |
| | 200: 200A | |
| | 250: 250A | |



Accuenergy Corp.

Los Angeles - Toronto - Beijing - Pretoria
North America Toll Free: 1-877-721-8908
Web: www.accuenergy.com
Email: marketing@accuenergy.com

ACCUEENERGY
Your Power and Automation Partner