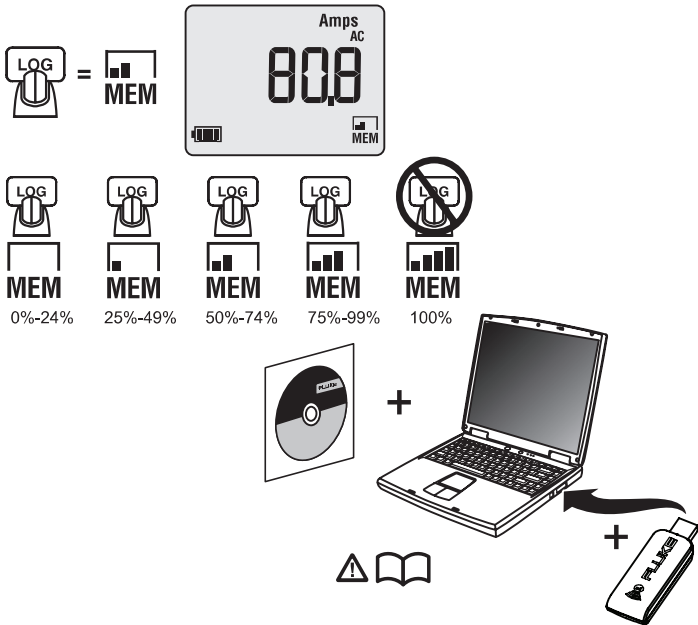


**LOG**



**FLUKE**®

# a3000 FC

## Wireless AC Clamp

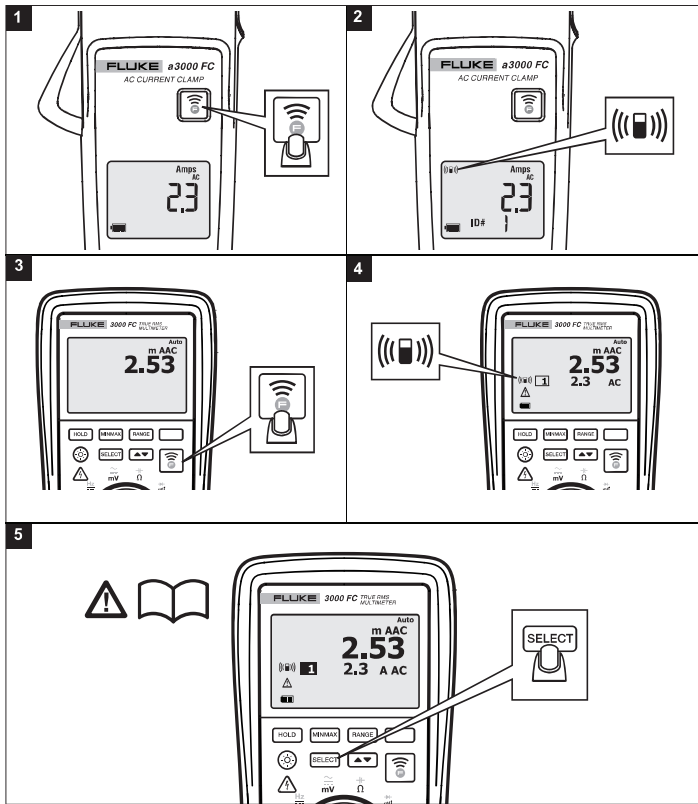
### Quick Reference Guide

⚠⚠ Warning

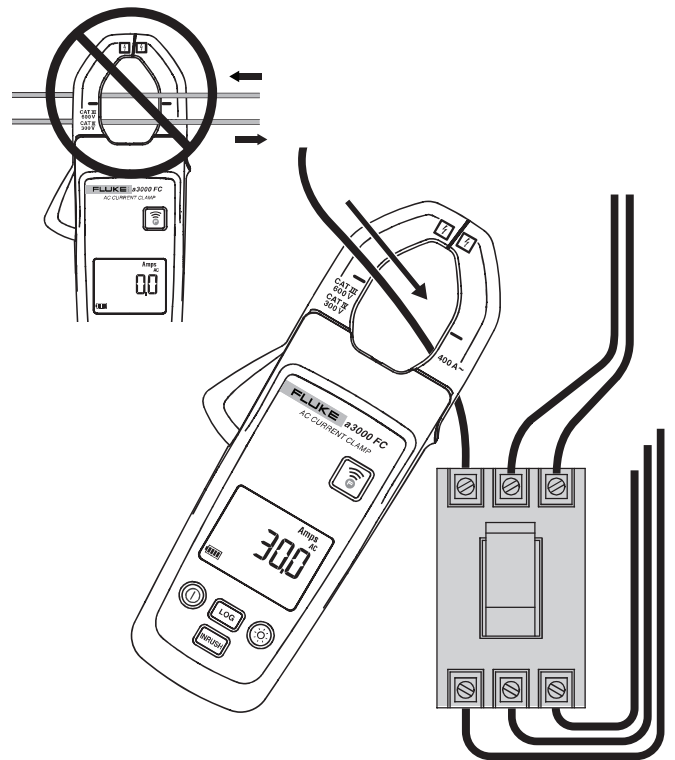
To prevent possible electrical shock, fire, or personal injury, read the “a3000 FC Safety Information” before you use this Product.

Go to [www.fluke.com](http://www.fluke.com) to register your product and find more information.

**Wi-Fi**

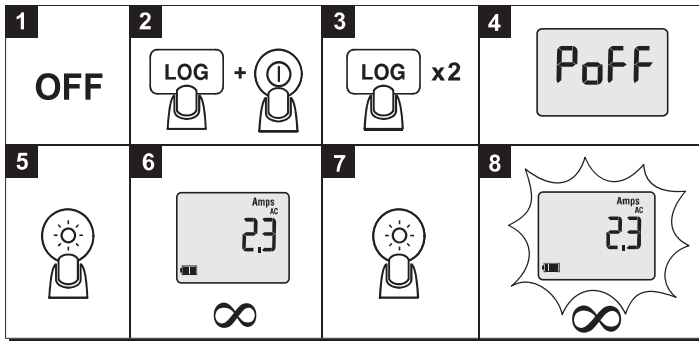
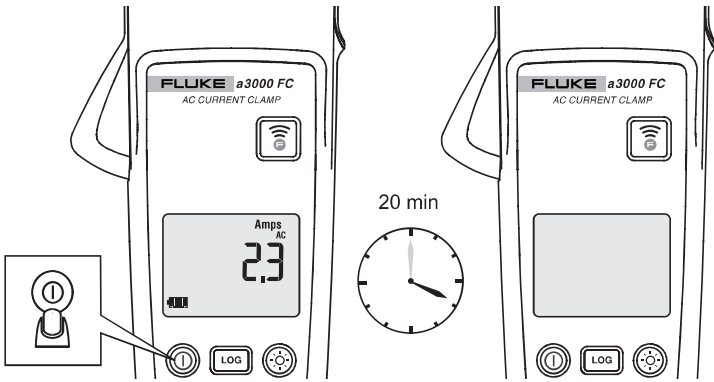


**Amps**



PN 4466373 May 2014

© 2014 Fluke Corporation. Printed in USA. All rights reserved.



### INRUSH

