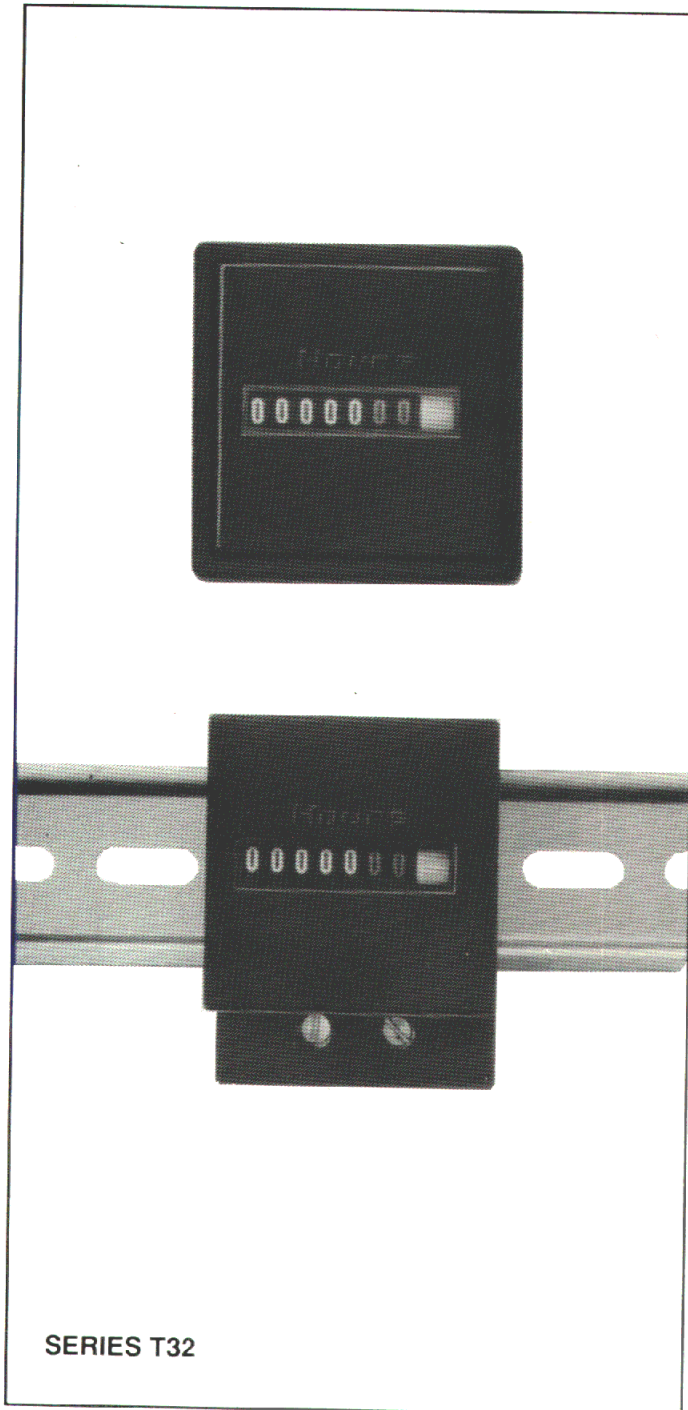


AC/DC Panel/Din Rail Mount Square Hour Meters

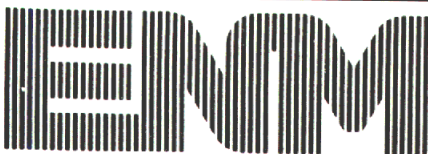


Series T32 is a synchronous motor driven hour meter at AC and stepper motor driven at DC. This hour meter can withstand even the most rugged applications. The completely insulated housing provides substantial protection against environmental influences. Applications include control of the running time of machines, apparatus, and instruments as well as recording maintenance time, warranty time, or rental use time.

- Panel and din rail mounts
- Low cost
- Shock resistant/High reliability
- Low power consumption
- Easy installation
- UL, CSA and VDE recognized

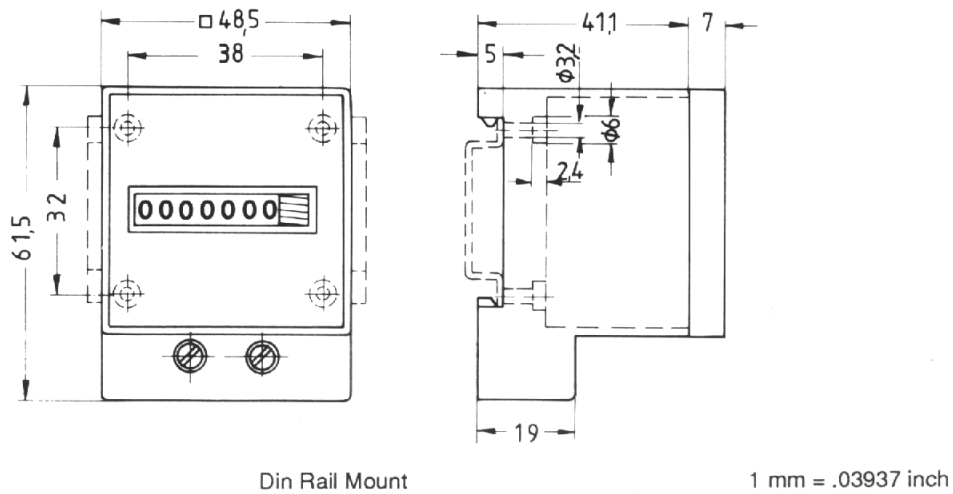
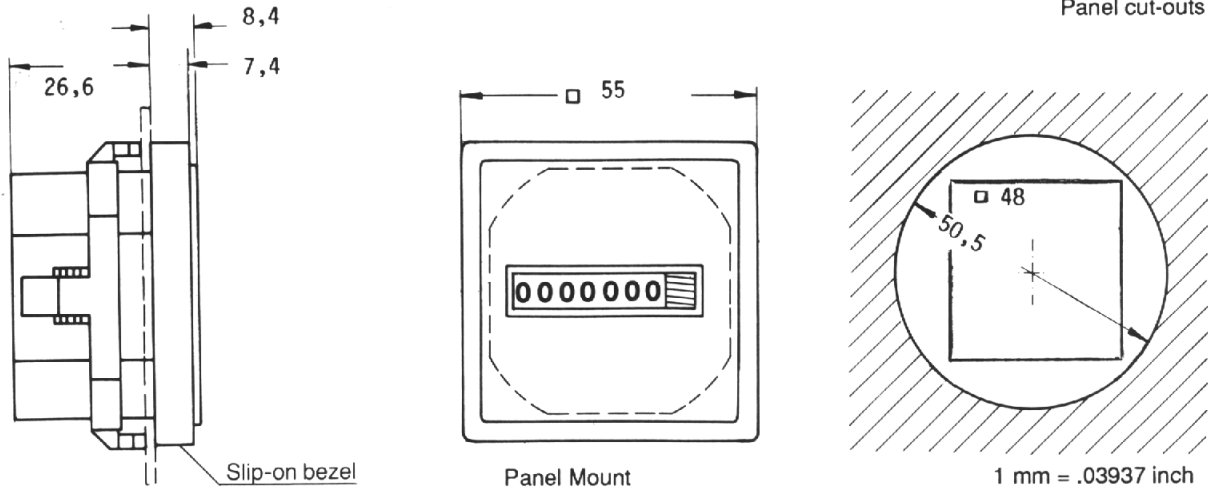
TECHNICAL FEATURES:

Display:	99999.99
Figures:	White on black (hours) Red on black (decimals)
Figure Size:	.158" high
Voltage:	24, 110, 220 VAC, 50/60 hz $\pm 15\%$ 12/24, 36/80, 110 VDC $\pm 10\%$ Special voltages available.
Power Consumption:	Approx. 2 W @ 220 VAC Approx. 180 mW @ 12 VDC
Operating Temperature Range:	-15° to 50°C (5° to 122°F)
Mounting:	Panel mount (includes slip on bezel) Din rail mount (46 277 din rail)
Termination:	Screw- and amp-plug (standard) 12" leads (optional)
Weight:	1.0 oz. (Panel mount) 2.4 oz. (Din rail mount)



Mounting Variations

Series T32



Din Rail Mount (46 277)	Panel Mount w/Bezel	Voltage
T32F72D	T32BL72D	110 VAC, 60 Hz
T32F73D	T32BL73D	110 VAC, 50 Hz
T32F71D	T32BL71D	220 VAC, 60 Hz
T32F711D	T32BL711D	220 VAC, 50 Hz
T32F74D	T32BL74D	24 VAC, 60 Hz
T32F724D	T32BL724D	24 VAC, 50 Hz
T32F717D	T32BL717D	12 – 24 VDC
T32F742D	T32BL742D	36 – 80 VDC
T32F78D	T32BL78D	110 VDC

Above data is for reference only.

Certified dimensions available upon request.



ENM Company
 5617 Northwest Highway
 Chicago, IL 60646-6135
 (773) 775-8400 Fax: (773) 775-5968