



Hawkeye® 721LC/721HC/921

Solid- & Split-Core 4-20mA Output Loop Powered Current Transducers

5 Year Warranty

The Hawkeye 721LC, 721HC, & 921 provide accurate load trending information with a proportional 4-20mA output signal. Preset slide-switches provide easy field setup of sensed amperage range without clumsy jumpers.

APPLICATIONS

- Load trending
- Motor control

Loop powered analog current sensor simplifies installation

- Power the sensor and receive the signal with only two wires...lower cabling & commissioning costs than with traditional 3-wire sensors
- Self-gripping split-core for fast retrofit installation... no need to remove conductor (H921)
- Economical solid-core features adjustable bracket for easy alignment

Selectable factory calibrated ranges up to 200A for increased flexibility and resolution

- Factory calibrated switch selectable ranges for high resolution and installation ease
- Three field-selectable ranges per unit... fewer versions to choose from, stock, and install
- Mounting bracket for installation flexibility
- 5-year limited warranty



ORDERING INFORMATION

MODEL	AMPERAGE RANGE	OUTPUT TYPE
H721LC Solid-Core	0-10/20/40A	4-20mA, loop powered
H721HC Solid-Core	0-50/100/200A	4-20mA, loop powered
H921 Split-Core	0-30/60/120A	4-20mA, loop powered



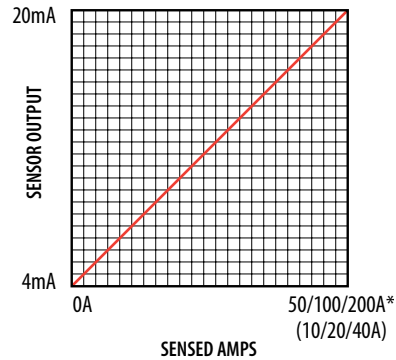
*H921 only

ACCESSORIES

Universal Power Supply, Universal Mounting Bracket Kit...See page 234

H721HC (LC) LINEAR OUTPUT

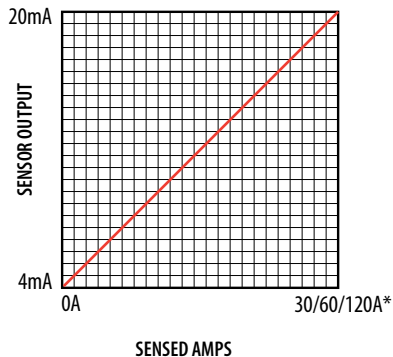
Scale software as shown



*Factory calibrated ranges selected with the amperage range switch

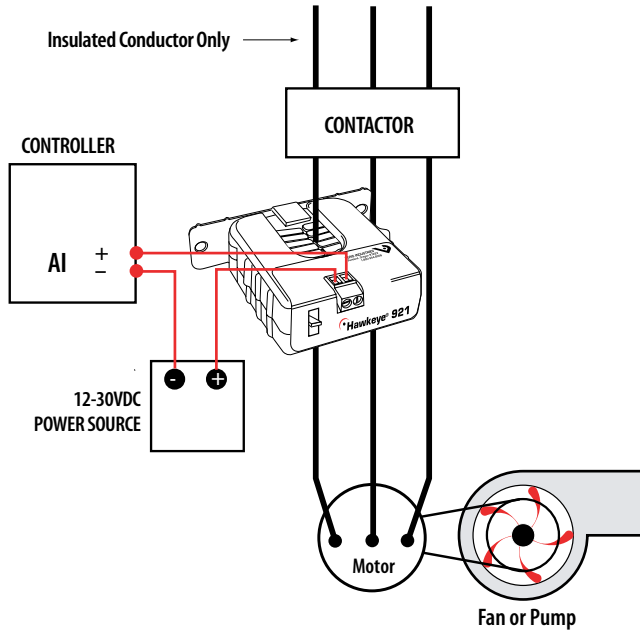
H921 LINEAR OUTPUT

Scale software as shown

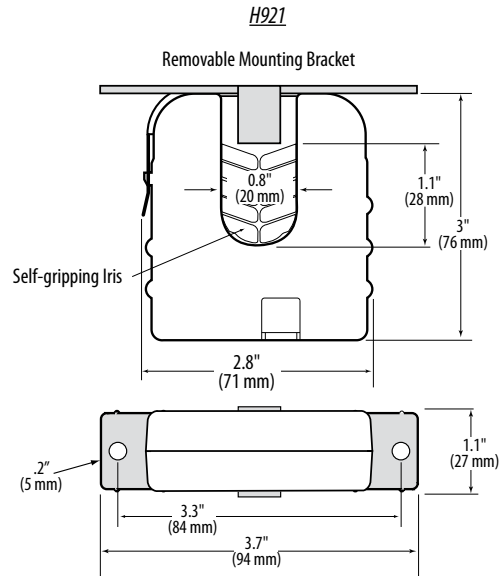
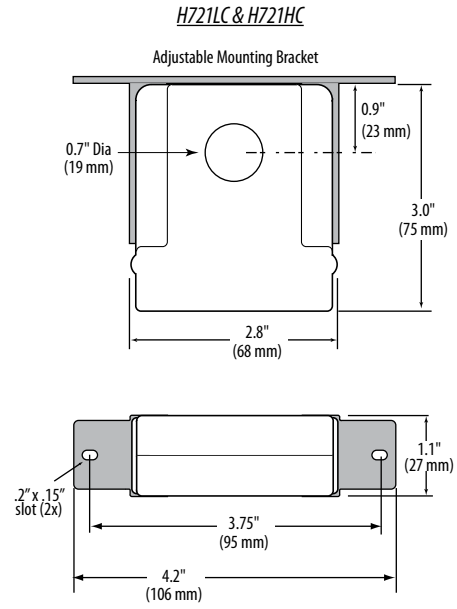


*Factory calibrated ranges selected with the amperage range switch

APPLICATIONS/WIRING EXAMPLE



DIMENSIONAL DRAWINGS



SPECIFICATIONS

Amperage Range	See ordering table
Output	4-20mA DC
Insulation Class	600VAC rms (UL), 300VAC rms (CE)
Frequency	50/60Hz.
Temperature Range	-15° to 60°C
Humidity Range	10 - 90%RH non-condensing
Accuracy	±2%FS from 10% - 100% of selected range, but not less than ±0.4A
Response Time	2 sec.
Supply Voltage	12-30VDC Loop powered
Supply Current	30mA (max.)

Specification Note: For CE compliance, conductor shall be insulated according to IEC 61010-1:2001, Installation Category III or equivalent. The unit design provides for basic insulation only. For applications requiring double or reinforced insulation, please contact the factory.